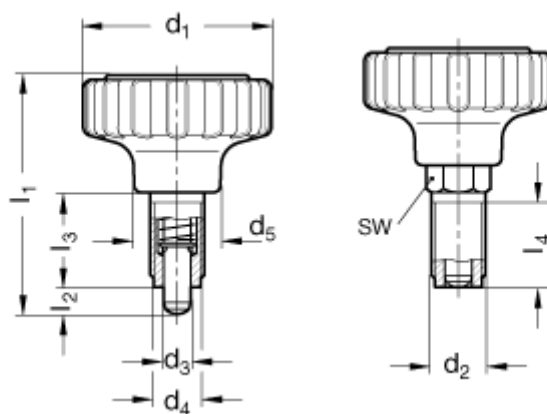


Article number: 201140022

Description: E+G Indexing plunger w. lock
GN 7336.8-42-M16x1,5-6

Measures



$d_1 = 42$

$d_2 = M 16 \times 1,5$

$d_3 = 6$

$d_4 = 11$

$d_5 = 19$

$l_1 = 72$

$l_2 = 9$

$l_3 = 34$

$l_4 = 23$

$N = 14$

$sw = 19$